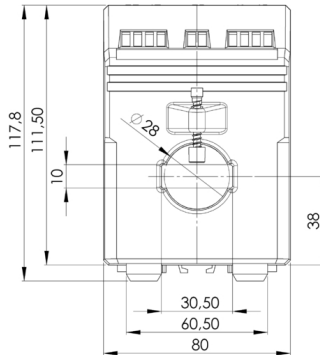


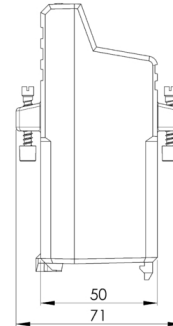
SWMU 31.51/31.52 - 4-20mA or 0-10V - $U_h=230VAC$



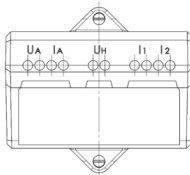
PB_SWMU31.5_online-zoom.jpg



TZ_SWMU31.5_F_online-zoom.jpg



TZ_SWMU31.5_S_online-zoom.jpg



TZ_SWMU31.5_T_online-zoom.jpg

Description

Measuring transducers for the transformation of sinus-shaped AC current. For an output signal a load-independent DC current and an imprinted DC voltage signal is available, which stands proportionally to the measurement value of the input volume. These signals can be used for display, recording, monitoring and or control function.

Simultaneously, the secondary current of the current transformer can be utilised to operate conventional needle instruments.

The measuring transducer fulfils the requirements and regulations with regard to the electromagnetic compatibility (EMV) and security IEC 1010 and EN 61010.

- Bus bar: 30 x 10 mm
- Round conductor: 28 mm
- Width: 80 mm
- Height: 117,8 mm
- Depth: 71 mm
- Weight: 350 g
- operating range: 0 ... 120 % I_N

Versions

order no.	description	primary current	output	aux. supply
7000312006	SWMU 31.52	1A	4-20mA or 0-10V	230VAC
7000312007	SWMU 31.52	5A	4-20mA or 0-10V	230VAC
7000312008	SWMU 31.52	10A	4-20mA or 0-10V	230VAC
7000312009	SWMU 31.51	15A	4-20mA or 0-10V	230VAC
7000312010	SWMU 31.51	20A	4-20mA or 0-10V	230VAC

7000312011	SWMU 31.51	25A	4-20mA or 0-10V	230VAC
7000312012	SWMU 31.51	30A	4-20mA or 0-10V	230VAC
7000312013	SWMU 31.51	40A	4-20mA or 0-10V	230VAC
7000312014	SWMU 31.51	50A	4-20mA or 0-10V	230VAC
7000312015	SWMU 31.51	60A	4-20mA or 0-10V	230VAC
7000312016	SWMU 31.51	75A	4-20mA or 0-10V	230VAC
7000312017	SWMU 31.51	100A	4-20mA or 0-10V	230VAC
7000312018	SWMU 31.51	150A	4-20mA or 0-10V	230VAC
7000312019	SWMU 31.51	200A	4-20mA or 0-10V	230VAC
7000312020	SWMU 31.51	250A	4-20mA or 0-10V	230VAC
7000312021	SWMU 31.51	300A	4-20mA or 0-10V	230VAC
7000312022	SWMU 31.51	400A	4-20mA or 0-10V	230VAC
7000312023	SWMU 31.51	500A	4-20mA or 0-10V	230VAC
7000312024	SWMU 31.51	600A	4-20mA or 0-10V	230VAC
7000312025	SWMU 31.51	750A	4-20mA or 0-10V	230VAC