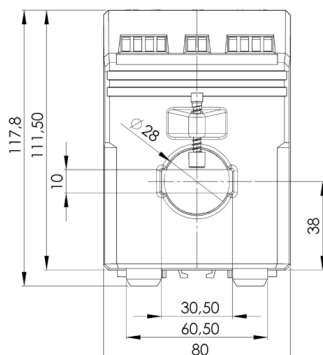


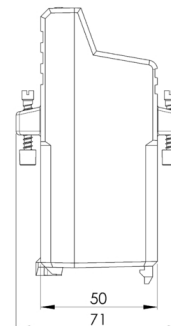
SWMU 31.51/31.52 - 0-20mA or 2-10V - U_h=230VAC



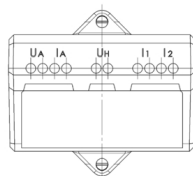
PB_SWMU31.5_online-zoom.jpg



TZ_SWMU31.5_F_online-zoom.jpg



TZ_SWMU31.5_S_online-zoom.jpg



TZ_SWMU31.5_T_online-zoom.jpg

Description

Measuring transducers for the transformation of sinus-shaped AC current. For an output signal a load-independent DC current and an imprinted DC voltage signal is available, which stands proportionally to the measurement value of the input volume. These signals can be used for display, recording, monitoring and or control function.

Simultaneously, the secondary current of the current transformer can be utilised to operate conventional needle instruments.

The measuring transducer fulfils the requirements and regulations with regard to the electromagnetic compatibility (EMV) and security IEC 1010 and EN 61010.

- Bus bar: 30 x 10 mm
- Round conductor: 28 mm
- Width: 80 mm
- Height: 117,8 mm
- Depth: 71 mm
- Weight: 350 g
- operating range: 0 ... 120 % I_N

Versions

order no.	description	primary current	output	aux. supply
7000313006	SWMU 31.52	1A	0-20mA or 2-10V	230VAC
7000313007	SWMU 31.52	5A	0-20mA or 2-10V	230VAC
7000313008	SWMU 31.52	10A	0-20mA or 2-10V	230VAC
7000313009	SWMU 31.51	15A	0-20mA or 2-10V	230VAC
7000313010	SWMU 31.51	20A	0-20mA or 2-10V	230VAC

7000313011	SWMU 31.51	25A	0-20mA or 2-10V	230VAC
7000313012	SWMU 31.51	30A	0-20mA or 2-10V	230VAC
7000313013	SWMU 31.51	40A	0-20mA or 2-10V	230VAC
7000313014	SWMU 31.51	50A	0-20mA or 2-10V	230VAC
7000313015	SWMU 31.51	60A	0-20mA or 2-10V	230VAC
7000313016	SWMU 31.51	75A	0-20mA or 2-10V	230VAC
7000313017	SWMU 31.51	100A	0-20mA or 2-10V	230VAC
7000313018	SWMU 31.51	150A	0-20mA or 2-10V	230VAC
7000313019	SWMU 31.51	200A	0-20mA or 2-10V	230VAC
7000313020	SWMU 31.51	250A	0-20mA or 2-10V	230VAC
7000313021	SWMU 31.51	300A	0-20mA or 2-10V	230VAC
7000313022	SWMU 31.51	400A	0-20mA or 2-10V	230VAC
7000313023	SWMU 31.51	500A	0-20mA or 2-10V	230VAC
7000313024	SWMU 31.51	600A	0-20mA or 2-10V	230VAC
7000313025	SWMU 31.51	750A	0-20mA or 2-10V	230VAC