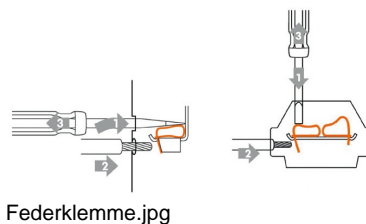


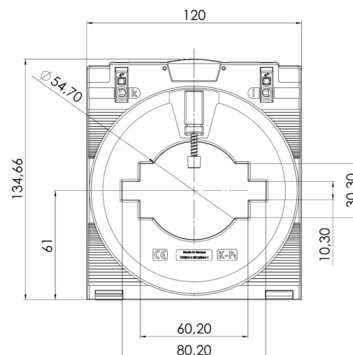
ECTB 81.35



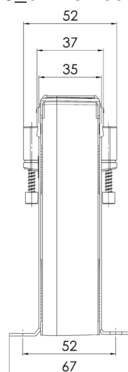
PB_CTB81.35_online-zoom.jpg



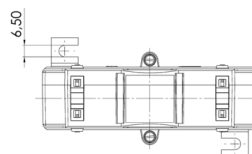
Federklemme.jpg



TZ_CTB81.35_F_online-zoom.jpg



TZ_CTB81.35_S_online-zoom.jpg



TZ_CTB81.35_T_online-zoom.jpg

Description

Plug-in current transformer for primary nominal currents from 400 A up to 2500 A, secondary nominal current 5 A or 1 A, accuracy classes 0.5, 0.5s, 0.2 and 0.2s, with type approval by PTB Braunschweig for use for billing purposes.

The new CTB's connection is arranged with a "cage clamp ®".

Technical Data

- Therm. nominal continuous current I_{cth} : $1,2 \times I_N$
- Therm. nominal short-time current I_{th} : $60 \times I_N$, 1 sec.
- Max. operating voltage U_m : 1.2kV
- Isolation test voltage: 6 kV, U_{eff} , 50 Hz, 1 min.
- Nominal rated frequency: 50...60 Hz
- Isolation class: E
- Bus bar 1: 80 x 10 mm
- Bus bar 2: 60 x 30 mm
- Round conductor: 55 mm
- Width: 120 mm
- Height: 135 mm
- Depth: 52 mm