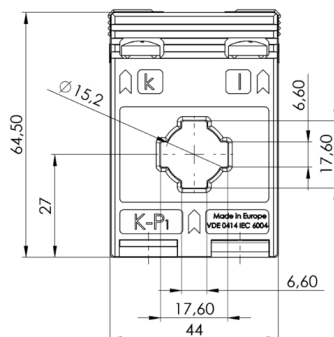


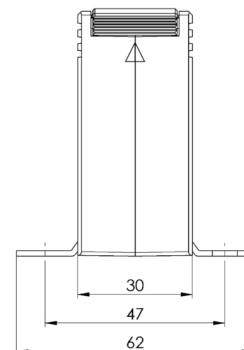
EAS 176.3



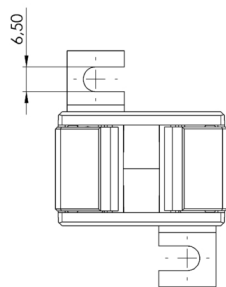
PB_EAS176.3_online-zoom.jpg



PB_ASK176.3_online-zoom.jpg_product
_product_product_product



PB_ASK176.3_online-zoom.jpg_product_product



PB_ASK176.3_online-zoom.jpg_product_product

Description

Plug-in current transformers suitable for **slim-line XR size XR1** for primary nominal currents of 150 A up to 250 A with a secondary nominal current of 5 A or 1 A, accuracy class 0.5, PTB Braunschweig certificated for tariff application.

Installation of this current transformer is only possible with the ABB bus bar adaptor.

Technical Data

- Therm. nominal continuous current I_{cth} : $1,2 \times I_N$
- Therm. nominal short-time current I_{th} : $60 \times I_N$, 1 sec.
- Max. operating voltage U_m : 0.72 kV
- Isolation test voltage: 3 kV, U_{eff} , 50 Hz, 1 min.
- Nominal rated frequency: 50...60 Hz
- Isolation class: E
- Bus bar 1: 17 x 6 mm
- Round conductor: 15,2 mm
- Width: 44 mm
- Height: 65 mm
- Depth: 30 mm