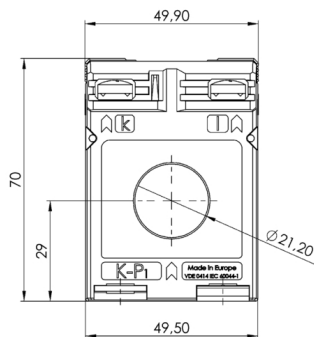


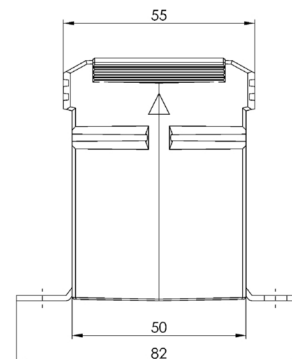
## ASR 21.5



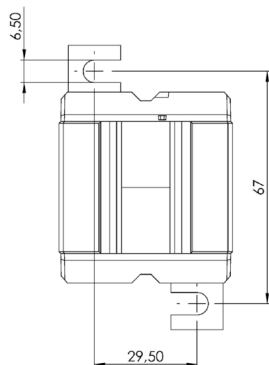
PB\_ASR21.5\_online-zoom.jpg



TZ\_ASR21.5\_F\_online-zoom.jpg



TZ\_ASR21.5\_S\_online-zoom.jpg



TZ\_ASR21.5\_T\_online-zoom.jpg

### Description

Tube current transformer for primary nominal currents from 50 A up to 600 A, secondary nominal current 5 A or 1 A (optional 2 A), accuracy class 0.5 and 1.

### Technical Data

- Therm. nominal continuous current  $I_{cth}$ :  $1,0 \times I_N$
- Therm. nominal short-time current  $I_{th}$ :  $60 \times I_N$ , 1 sec.
- Max. operating voltage  $U_m$ : 0.72 kV
- Isolation test voltage: 3 kV,  $U_{eff}$ , 50 Hz, 1 min.
- Nominal rated frequency: 50...60 Hz
- Isolation class: E
- Round conductor: 21,2 mm
- Width: 49,9 mm
- Height: 70 mm
- Depth: 55 mm