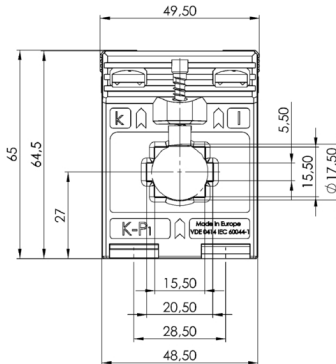


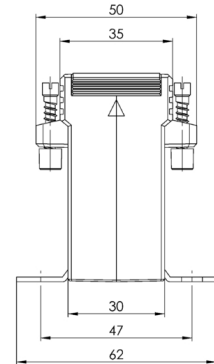
ASK 205.3



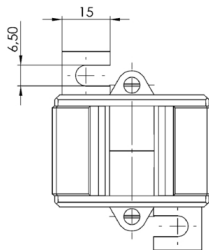
PB_ASK205.3_online-zoom.jpg



TZ_ASK205.3_F_online-zoom.jpg



TZ_ASK205.3_S_online-zoom.jpg



TZ_ASK205.3_T_online-zoom.jpg

Beschreibung

Aufsteck-Stromwandler für Primär-Nennströme von 60 A bis 400 A mit einem Sekundär-Nennstrom von 5 A oder 1 A (optional 2 A), in der Genauigkeitsklasse 1.

Technische Details

- Therm. Nenndauerstrom I_{cth} : $1,0 \times I_N$
- Therm. Nennkurzzeitstrom I_{th} : $60 \times I_N$, 1 Sek.
- Max. Betriebsspannung U_m : 0,72 kV
- Isolationsprüfspannung: 3 kV, U_{eff} , 50 Hz, 1 Min.
- Nenn-Frequenz: 50...60 Hz
- Isolierstoffklasse: E
- Schiene 1: 20 x 5 mm
- Rundleiter: 17,5 mm
- Baubreite: 49,5 mm
- Bauhöhe: 65 mm
- Bautiefe gesamt: 50 mm

Beschreibung	Typ-Name	Typ-Nummer	Primärstrom	Sekundärstrom	VA	Klassengenauigkeit
ASK 205.3 60/5A 1VA Kl.1	ASK	205.3	60	5	1	1
ASK 205.3 75/5A 1VA Kl.1	ASK	205.3	75	5	1	1
ASK 205.3 80/5A 1,25VA Kl.1	ASK	205.3	80	5	1,25	1
ASK 205.3 100/5A	ASK	205.3	100	5	1,25	1

1,25VA Kl.1

ASK 205.3 100/5A ASK	205.3	100	5	1,5	1
----------------------	-------	-----	---	-----	---

1,5VA Kl.1

ASK 205.3 150/5A ASK	205.3	150	5	1,5	1
----------------------	-------	-----	---	-----	---

1,5VA Kl.1

ASK 205.3 150/5A ASK	205.3	150	5	2,5	1
----------------------	-------	-----	---	-----	---

2,5VA Kl.1

ASK 205.3 200/5A ASK	205.3	200	5	1,5	1
----------------------	-------	-----	---	-----	---

1,5VA Kl.1

ASK 205.3 200/5A ASK	205.3	200	5	2,5	1
----------------------	-------	-----	---	-----	---

2,5VA Kl.1

ASK 205.3 250/5A ASK	205.3	250	5	2,5	1
----------------------	-------	-----	---	-----	---

2,5VA Kl.1

ASK 205.3 250/5A ASK	205.3	250	5	5	1
----------------------	-------	-----	---	---	---

5VA Kl.1

ASK 205.3 300/5A ASK	205.3	300	5	2,5	1
----------------------	-------	-----	---	-----	---

2,5VA Kl.1

ASK 205.3 300/5A ASK	205.3	300	5	5	1
----------------------	-------	-----	---	---	---

5VA Kl.1

ASK 205.3 400/5A ASK	205.3	400	5	2,5	1
----------------------	-------	-----	---	-----	---

2,5VA Kl.1

ASK 205.3 400/5A ASK	205.3	400	5	5	1
----------------------	-------	-----	---	---	---

5VA Kl.1

ASK 205.3 60/1A ASK	205.3	60	1	1	1
---------------------	-------	----	---	---	---

1VA Kl.1

ASK 205.3 75/1A ASK	205.3	75	1	1	1
---------------------	-------	----	---	---	---

1VA Kl.1

ASK 205.3 80/1A ASK	205.3	80	1	1,25	1
---------------------	-------	----	---	------	---

1,25VA Kl.1

ASK 205.3 100/1A ASK	205.3	100	1	1,25	1
----------------------	-------	-----	---	------	---

1,25VA Kl.1

ASK 205.3 100/1A ASK	205.3	100	1	1,5	1
----------------------	-------	-----	---	-----	---

1,5VA Kl.1

ASK 205.3 150/1A ASK	205.3	150	1	1,5	1
----------------------	-------	-----	---	-----	---

1,5VA Kl.1

ASK 205.3 150/1A ASK	205.3	150	1	2,5	1
----------------------	-------	-----	---	-----	---

2,5VA Kl.1

ASK 205.3 200/1A ASK	205.3	200	1	1,5	1
----------------------	-------	-----	---	-----	---

1,5VA Kl.1

ASK 205.3 200/1A ASK	205.3	200	1	2,5	1
----------------------	-------	-----	---	-----	---

2,5VA Kl.1

ASK 205.3 250/1A ASK	205.3	250	1	2,5	1
----------------------	-------	-----	---	-----	---



2,5VA KI.1

ASK 205.3 250/1A ASK	205.3	250	1	5	1
----------------------	-------	-----	---	---	---

5VA KI.1

ASK 205.3 300/1A ASK	205.3	300	1	2,5	1
----------------------	-------	-----	---	-----	---

2,5VA KI.1

ASK 205.3 300/1A ASK	205.3	300	1	5	1
----------------------	-------	-----	---	---	---

5VA KI.1

ASK 205.3 400/1A ASK	205.3	400	1	2,5	1
----------------------	-------	-----	---	-----	---

2,5VA KI.1

ASK 205.3 400/1A ASK	205.3	400	1	5	1
----------------------	-------	-----	---	---	---

5VA KI.1